

## Micro cantilever

### Product name

**OMCL-AC240TN-C3**

Silicon cantilever with a sharpened tetrahedral tip

Product name <b>Micro Cantilever</b>	
OMCL-AC240TN-C3	
LotNo. _____	
Typical Value	Inspection result
Resonant frequency 70 (kHz)	(Calculated Value)
Spring constant 2 (N/m)	
<b>OLYMPUS</b>	

Inspection result

### OMCL - AC 240 T N - C 3

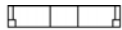
OMCL : Olympus Micro Cantilever  
 AC : main application is AC mode measurement  
 240 : Lever length of 240  $\mu\text{m}$   
 T : sharpened Tetrahedral tip  
 N : No reflex metal coating  
 C : 24 chips / unit  
 3 : Chip thickness 0.3 mm,  
 Rectangular cross section chip

### Chip

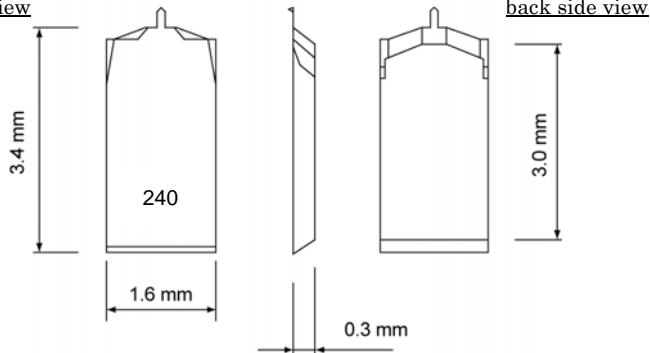
There is a rectangular cantilever on one side of the silicon chip.

#### Dimension

front side view



tip side view

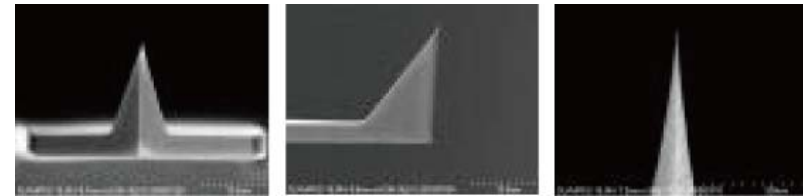


### Material

Tip & Lever	Silicon (0.01 – 0.02 ohm.cm)
Metal coating (tip side)	Non
Metal coating (ref ; ex side)	Non
Chip	Silicon (0.01 – 0.02 ohm.cm)

## Probe

The probe is a sharpened tetrahedral. The probe is fabricated on the exact end of each cantilever.



Front

Side

Front (probe apex)

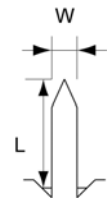
### Dimensions

	Typical value	Typical range
Probe length ( $\mu\text{m}$ )	14	9 - 19
Tip radius (nm)	7	4 - 10
Probe tip half angle (deg.)	(axis) less than 17.5 (side) less than 17.5	
Probe side tip angle (deg.)	(front) 0, (back) 35 (side) 18, 18	

## Cantilever

### Dimensions

Cantilever length L ( $\mu\text{m}$ )	240 ( $\pm 15$ )
Cantilever width W ( $\mu\text{m}$ )	40 ( $\pm 2$ )
Cantilever thickness t ( $\mu\text{m}$ )	2.3 ( $\pm 0.7$ )



### Calculated mechanical properties

	Typical value	Typical range
Resonant frequency (kHz)	70	50 - 90
Spring constant (N/m)	2	0.6 - 3.5

**OLYMPUS**

OMCL-AC240TN-C3

Ver.1.2 Nov. 16, 2009